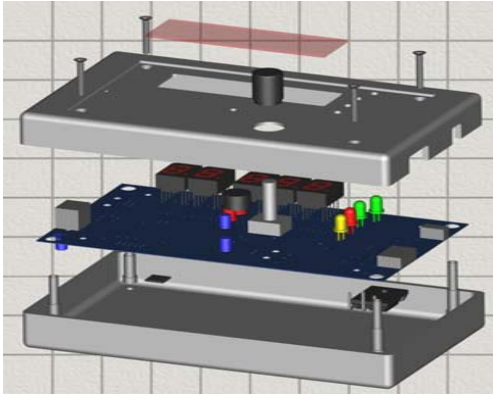


The Benefits of Outsourcing

PCB design is a very specialized field, and having a full-time designer on staff can be very expensive. Thankfully, modern technology has made working with someone on the other side of the country just as easy as working with someone a couple of doors down.

Outsourcing to CADX Design gives you all the benefits of having a team of experienced designers at your fingertips. We are adept at design for manufacturability, design for assembly, and specialty disciplines like Radio Frequency (RF) engineering, as well as analog, high-speed, and controlled-impedance applications.

⇒ **We are the answer to limited design oversight due to shrinking resources**



Get a free online quote at:

WWW.CADXDESIGN.COM

CAD TOOLS

Mentor Graphics / PADS
Cadence Allegro / OrCAD
PCAD / Altium Designer
PCAD Master Designer
Alibre Expert MCAD

Gerber Editing

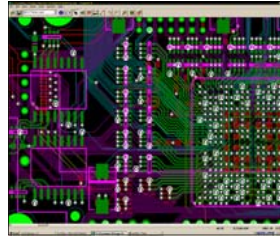
CAM350, by DownStream
CAMtastic, by Altium

CADX Design, Inc.



PCB Design Disciplines

Industrial Electronics	Avionic Equipment
Consumer Electronics	Military Equipment
Aerospace Technologies	Medical Equipment



PCB Turnkey Solutions

PCB Design Layout	Electronic Engineering
PCB Fabrication	Mechanical Engineering
PCB Assembly	3D Modeling
Test Fixtures	Proto Level Manufacturing
Turnkey Design	Component Procurement



PCB Assembly & Test Solutions

BGAs / uBGAs	In-Circuit Test Development
Double-Sided SMT	Fixtures and Test Solutions
0201 Discretes and Larger	
Thru-Hole	GenRad GR228X
Chip Scale Package (CSP)	HP306X, HP307X



Technologies

RoHS Compliance
PCI-Express 1-16x
USB 2.0
Firewire IEEE 1394
Ethernet IEEE 802.3
Wifi IEEE 802.11
DSP/RISC Processors
Microcontrollers

PO Box 311, Honeoye Falls, New York 14472

Website: www.cadxdesign.com

E-mail: sales@cadxdesign.com

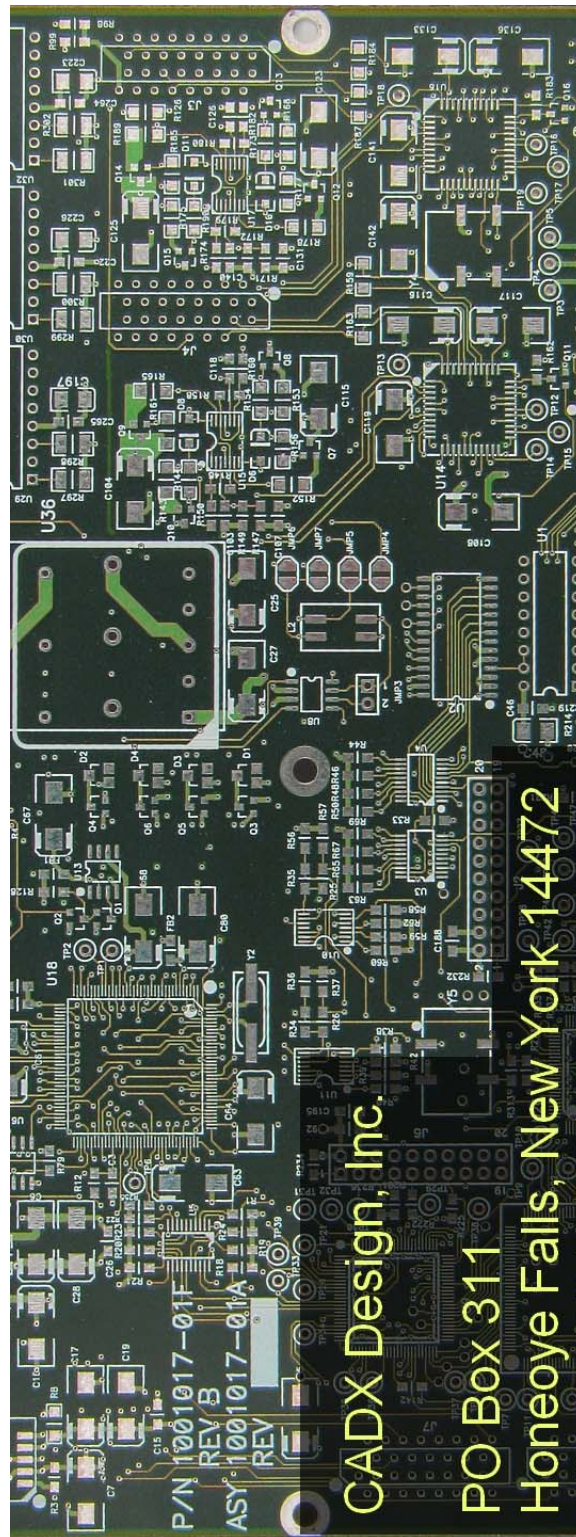
Phone: (585) 624-1491

Fax: (585) 582-1101

CADX Design, Inc.
Online Quoting

WWW.CADXDESIGN.COM

CADX Design was founded on the premise that the requirements for Performance and Manufacturability are present at the inception of a design. Our diverse staff offers our clients over 20 years in engineering, design, and manufacturing experience. Our prototyping and manufacturing capabilities include the latest advances in equipment and design methodologies in accordance with industry standards. Our diversified business infrastructure offers CADX customers the peace of mind that we will meet your most challenging design needs in a cost-effective manner.



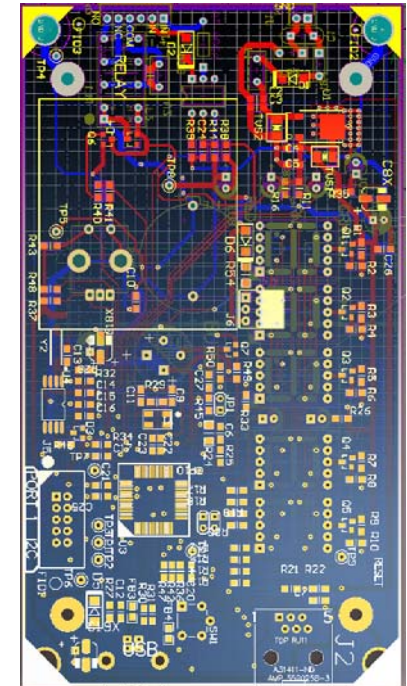
We support Cadence, OrCAD, PCAD, Altium Designer, Mentor, PADS, DxDesigner, PCAD Master Designer

CADX Design, Inc.

Design Services

PCB DESIGN
PCB FABRICATION
PCB ASSEMBLY
TEST FIXTURE DESIGN

Online Quoting



(585) 624-1491

WWW.CADXDESIGN.COM